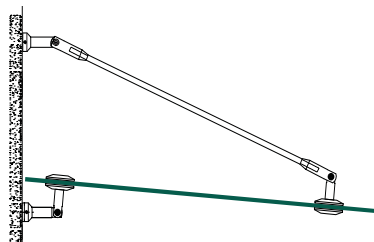




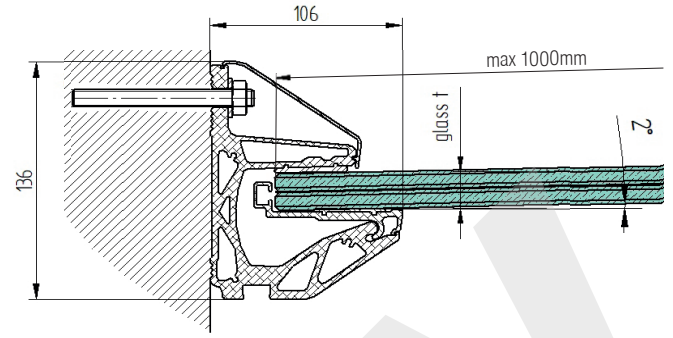
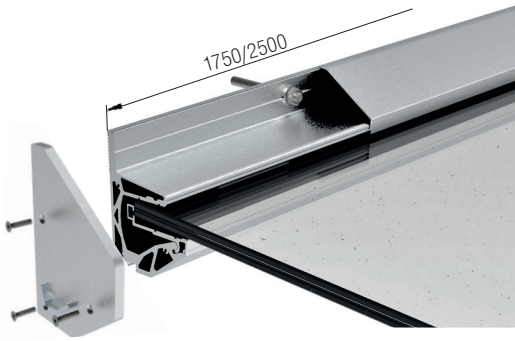
TOP components



AL/PR2...



GS14/PR-R ...



						Components-quantity						
Quality	Finish	Effect	art.	glass (t)	G max. (kN)							
ALU	satin	ELOX	AL/PR2-S-E-1750	17,52 - 21,52	1,5	1x	1x	1x	1x	3x / 1m	3x / 1m	-
			AL/PR2-S-E-2500									

					Components-quantity				
Quality	Finish	art.	glass (t)						
AISI316	satin	GS14/PR-R3-M12-set/glass	12,76-17,52	A14/PR70x40-M12	A14/PR12-1000-M12	A14/PR-60-M12	A14/PR70x40-60	GS/12,76-140x100-clear	
		GS14/PR-R3-M12-set		2x	2x	2x	2x	-	
		GS14/PR-R3-M12		1x	1x	1x	1x	-	

					Components-quantity				
Quality	Finish	art.	glass (t)						
AISI316	satin	GS14/PR-R-set/glass	12,76-17,52	A14/120-R	A14/12-940-R	A14/70-R	A14/120-70-R	GS/12,76-140x100-clear	
		GS14/PR-R-M12		1x	1x	1x	1x	-	

Quality	Finish	art.	L
AISI304	satin	A/PR12-1000-M12	
AISI316	satin	A14/PR12-1000-M12	
		A14/PR12-1250-M12	
		A14/PR12-1500-M12	
		A14/PR12-2000-M12	

Quality	Finish	art.
AISI304	satin	A14/PR-2x60-M12

Quality	art.	(cm)	Color
VSG/ESG	GS/12,76-140x100-clear		
	GS/12,76-140x100-blue		
	GS/12,76-140x100-milk		
	GS/12,76-140x100-yellow		
	GS/12,76-180x120-clear		
	GS/12,76-240x120-clear		

